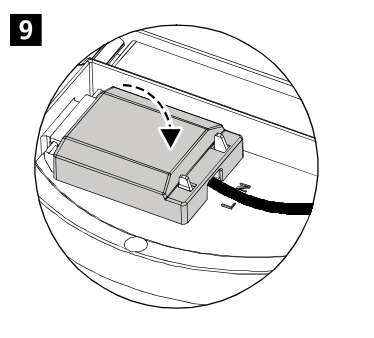
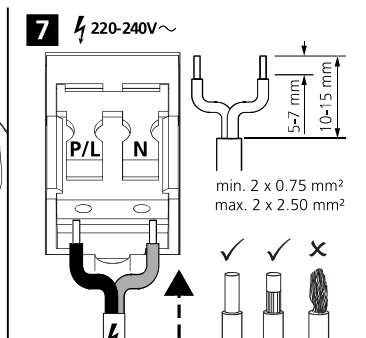
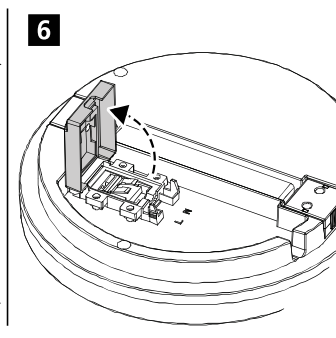
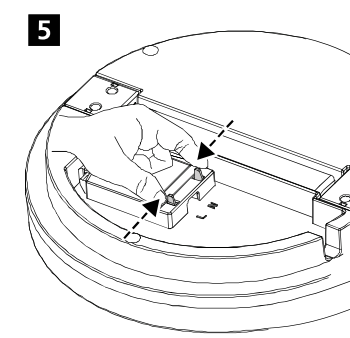
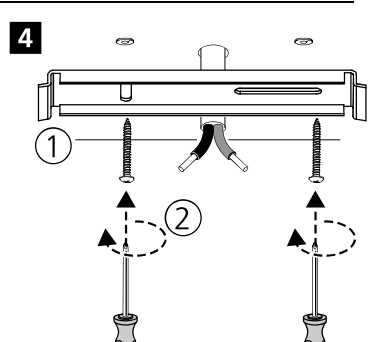
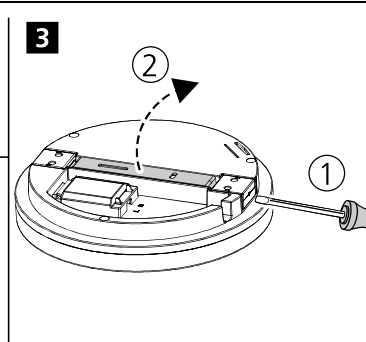
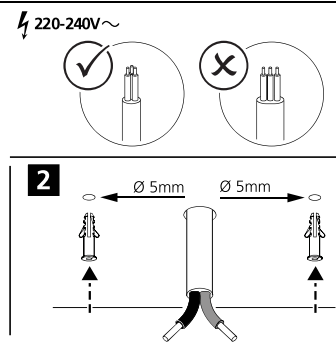
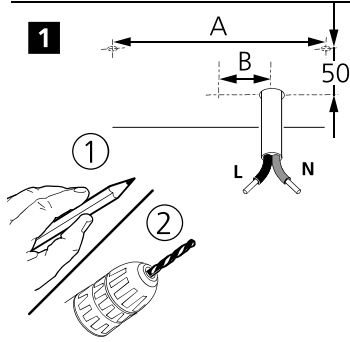
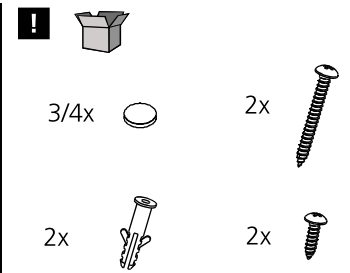
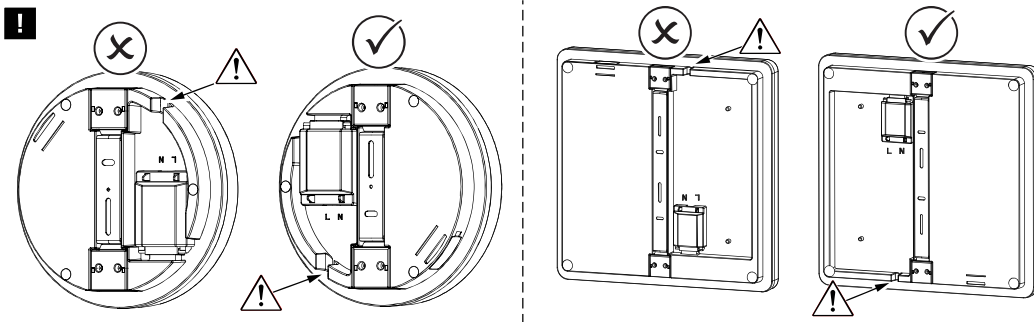
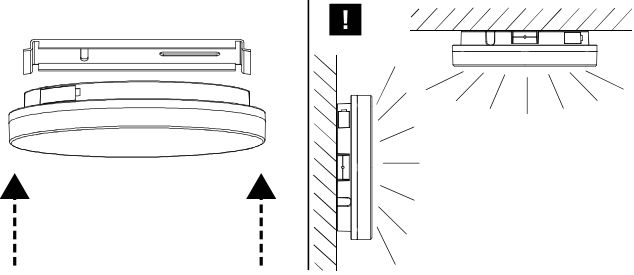
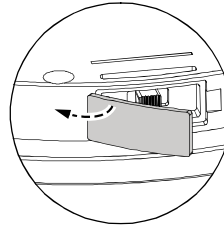
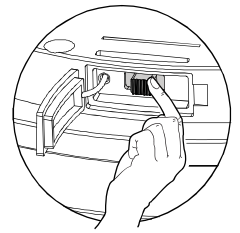
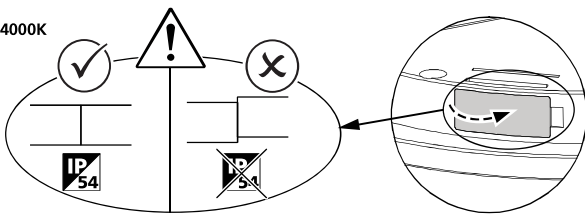
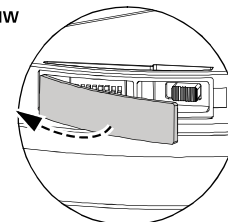
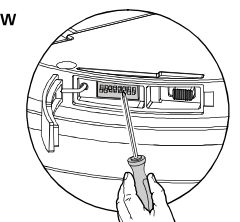


| SKU | Ø D | W | H | SKU | A(mm) | B(mm) |
|---------|-----|-----|----|---------|-----------|-------|
| 0043510 | 220 | | 53 | 0043510 | 35.5-64.5 | 25-40 |
| 0043511 | 280 | | 53 | 0043511 | | |
| 0043512 | 330 | | 53 | 0043514 | 55.5-84.5 | 15-40 |
| 0043513 | 400 | | 53 | 0043517 | | |
| 0043514 | 280 | | 53 | 0043520 | | |
| 0043516 | | 220 | 53 | 0043512 | 55.5-84.5 | 0-40 |
| 0043517 | | 280 | 53 | 0043518 | | |
| 0043518 | | 330 | 53 | 0043513 | 55.5-84.5 | 0-40 |
| 0043519 | | 400 | 53 | 0043519 | 55.5-84.5 | 0-40 |
| 0043520 | | 280 | 53 | | /145-175 | |



10**1a** 2-CCT 3000K-4000K**2a** 2-CCT 3000K-4000K**3a** 2-CCT 3000K-4000K**1b** MW**2b** MW

ON : ON
 OFF : OFF

Default settings:
 Stand-by time: 0s
 Stand-by dim level: 15%
 Daylight: 10Lux
 Hold-time: 60s
 Sensitivity: 100%

| | | | | | | | | |
|-----|---|---|---|---|---|---|---|---|
| | 1 | 2 | 3 | 4 | 5 | 6 | 7 | 8 |
| I | ● | ● | ○ | ○ | ○ | ○ | ○ | ○ |
| II | ○ | ○ | ○ | ○ | ○ | ○ | ○ | ○ |
| III | ○ | ○ | ○ | ○ | ○ | ○ | ○ | ○ |
| IV | ○ | ○ | ○ | ○ | ○ | ○ | ○ | ○ |

| | | | |
|-----------------|-----|---|-------|
| Stand-by Period | 1 | 2 | 0s |
| | II | ○ | 1min |
| | III | ○ | 10min |
| | IV | ○ | +∞ |

| | | | |
|-----------------|-----|---|---------|
| Daylight Sensor | 3 | 4 | Disable |
| | II | ○ | 50Lux |
| | III | ○ | 10Lux |
| | IV | ○ | 2Lux |

| | | | |
|-----------|-----|---|-------|
| Hold time | 5 | 6 | 30s |
| | II | ○ | 60s |
| | III | ○ | 180s |
| | IV | ○ | 10min |

| | | | |
|----------------|-----|---|------|
| Detection area | 7 | 8 | 100% |
| | II | ○ | 75% |
| | III | ○ | 50% |
| | IV | ○ | 10% |

3b MW